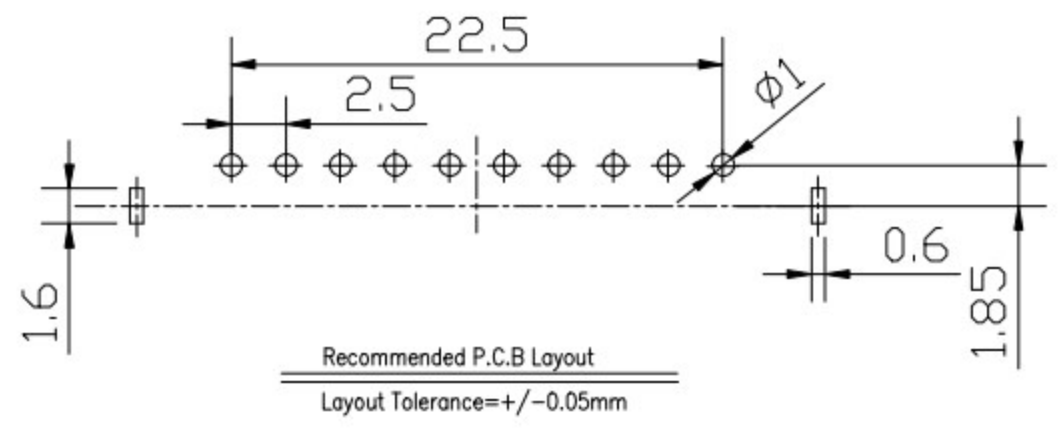
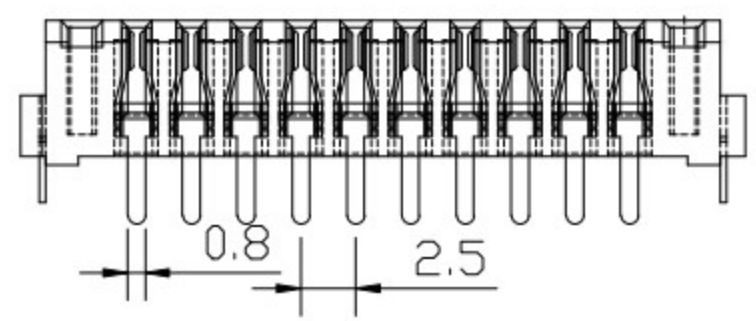
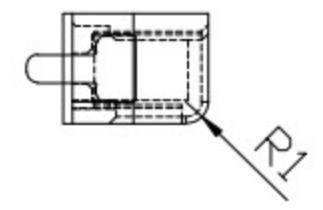
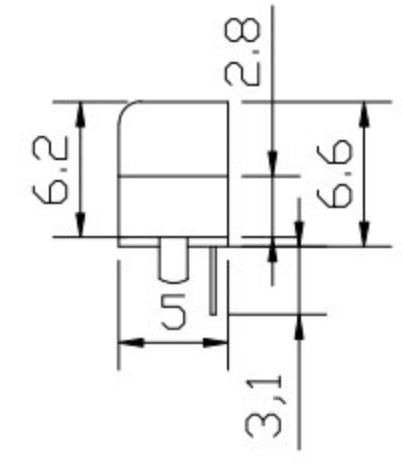
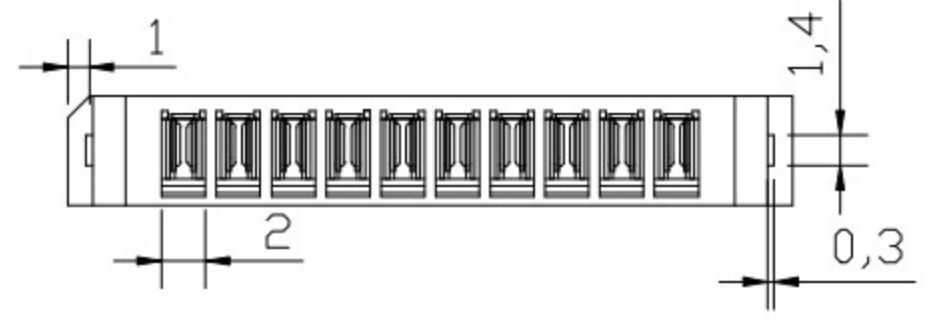
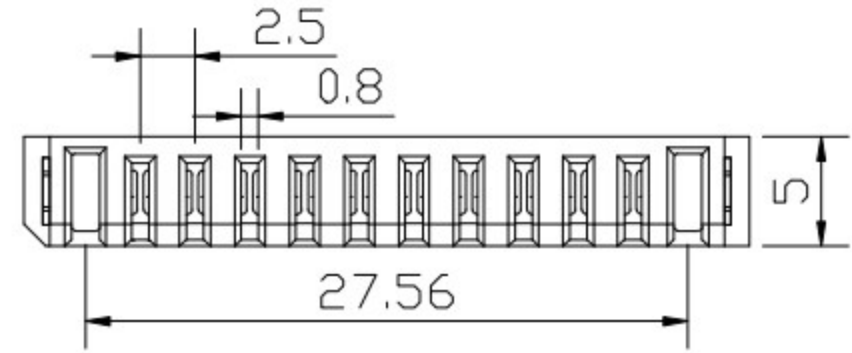
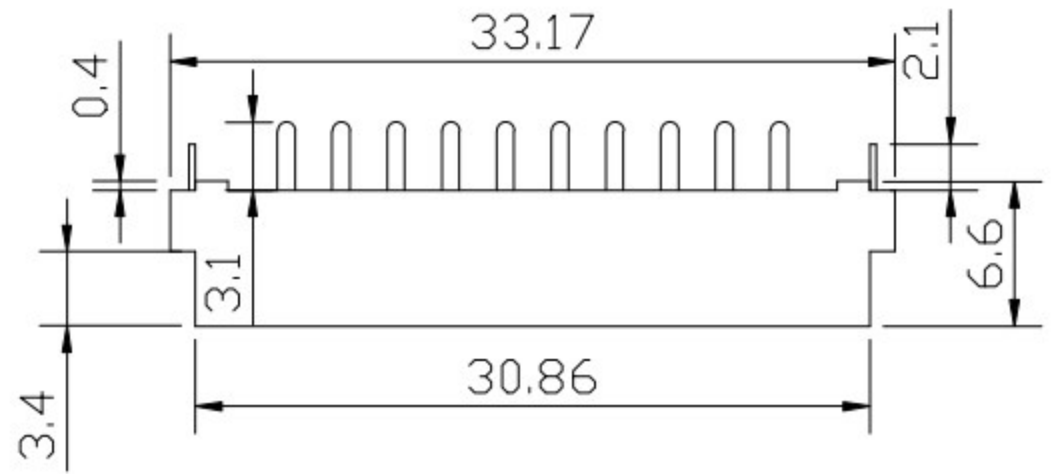


REV.	ECN NO.	DESCRIPTION	DESIGN	DATE
A		INITIAL	Kai	2018.03.29



NOTE:
 Material
 Insulator:Nylon 9T(UL94V-0)
 Contact:phosphor Bronze
 Contact Plated:Gold over Nickel or Tin
 Specification
 Rated voltage: 12V 30V
 Current rating: 5A 10A
 instant CURRENT:12A
 Contact Resistance:30M Ω
 Insulation Resistance:100M Ω
 Dielectric Voltage:1000V
 Operdting Temperature:-40 $^{\circ}$ ~105 $^{\circ}$

②	HOUSING	1	LCP		BLACK
①	CONTACT A	2	PHOSPHOR BRONZE 0.20T	Au PLATED	
ITEM	PART NAME	Q'TY	MATERTAL	DESCRIPTION	REMARK

UNLESS OTHERWISE SPECIFIED TOLERANCES			
DECIMALS:		ANGLES:	
DIM	TOL	DIM	TOL
X.	± 0.50	X.	$\pm 2^{\circ}$
X.X	± 0.30	X.X	$\pm 1^{\circ}$
X.XX	± 0.20	X.XX	
X.XXX	± 0.10	X.XXX	

东莞市高迪电子有限公司

DWG NO.	PART NAME:
DESIGN:	PART NO.
CHECK:	REV. A
APPROVED	UNIT: mm
	SHEET: 1/1